

TWB1

UNIVERSAL FLAT WALL MOUNT

FOR 50"-85" SCREENS

Designed for practical wall mounting of the screen. TWB1 is made of metal elements, very robust and, at the same time, aesthetically finished. By protecting the screen from falling, this mount is perfect for public areas. Dedicated both as a standalone mount and as a component for other structures, including conference trolleys or ceiling mounts. The TWB1 wall mount is a guarantee of robustness, featuring modern solutions.



FEATURES

- Universal design – Suitable for 50"-85" screens
- Wide range of VESA mounting holes
- Screen protection against falling
- Screen mounting screws included
- 3 mm heavy duty steel
- Robust construction to ensure load capacity up to 80 kg
- Lateral adjustment of the screen once mounted on the wall plate
- Suitable for installation on brick, concrete, plaster and wooden walls
- Quick and simple screen installation

PRODUCT SPECIFICATIONS

Short index	TWB1
Category	Flat Wall Mounts
Product group	Display Mounts
Colour	Black
Warranty	Limited 5-years
Number of screens	1
Minimum screen size	50"
Maximum screen size	85"
Maximum load	80 kg
VESA Mounting Compatibility	100×100 up to 800×400



50"-85"



100×100
800×400



80 kg



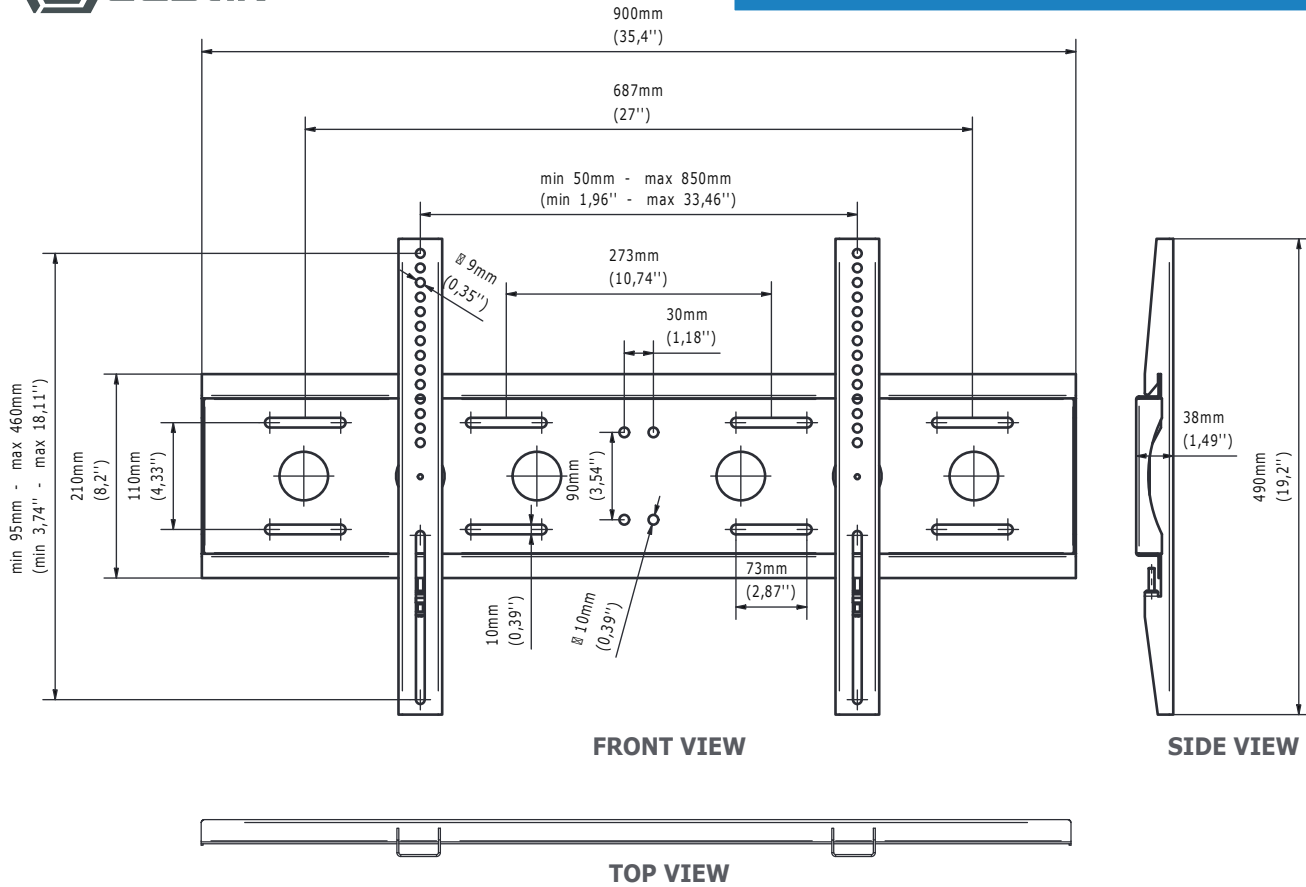
Screen protection against accidental falling or unauthorised removal of a screen using security screws



Wide range of VESA mounting holes



Robust design


TECHNICAL SPECIFICATIONS

Product dimensions	W: 900 mm D: 38 mm H: 490 mm (W:35,43" D:1,50" H:19,29")
Product weight	4,6 kg (10 lb)
Max. distance from mounting surface	38 mm (1,50")
Min. distance from mounting surface	38 mm (1,50")
Max. mounting pattern	850 mm x 460 mm
Min. mounting pattern	50 mm x 95 mm

LOGISTICS DATA

SAP INDEX	EAN CODE	COLOUR	PACKAGE DIMENSIONS	PACKAGE WEIGHT
WUSC-TWB1c-B	5908252960859	BLACK	930 x 220 x 40 mm 36,61 x 8,66 x 1,57"	5,5 kg 12 lb

HS Code (Harmonized System): 732690, HTS Code (Harmonized Tariff Schedule): 7326909890, Country of Origin: Poland

ACCESSORIES AND RELATED PRODUCTS


PWB1



TWB2



TWB3



XWB1